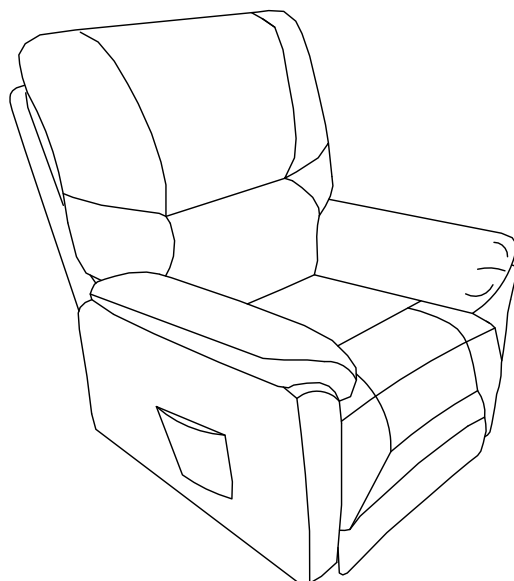
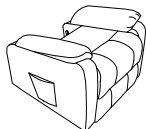






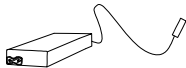


**ASSEMBLY INSTRUCTIONS**



**RECLINER W/ POWER LIFT**

**PARTS LIST**

PART	DRAWING	DESCRIPTION	QTY
A		SEAT	1
B		BACKREST	1
C		LSF WING	1
D		RSF WING	1

PART	DRAWING	DESCRIPTION	QTY
E		WIRE	1
F		ADAPTOR	1
G		PLUG WITH WIRE	1
H		REMOTE CONTROL	1

**Customer Service Contact Information:**  
 Toll Free Phone Number: 1-844-771-2727  
 Email: [consumercare@lanefurniture.com](mailto:consumercare@lanefurniture.com)  
 Website: [www.lanefurniture.com](http://www.lanefurniture.com)

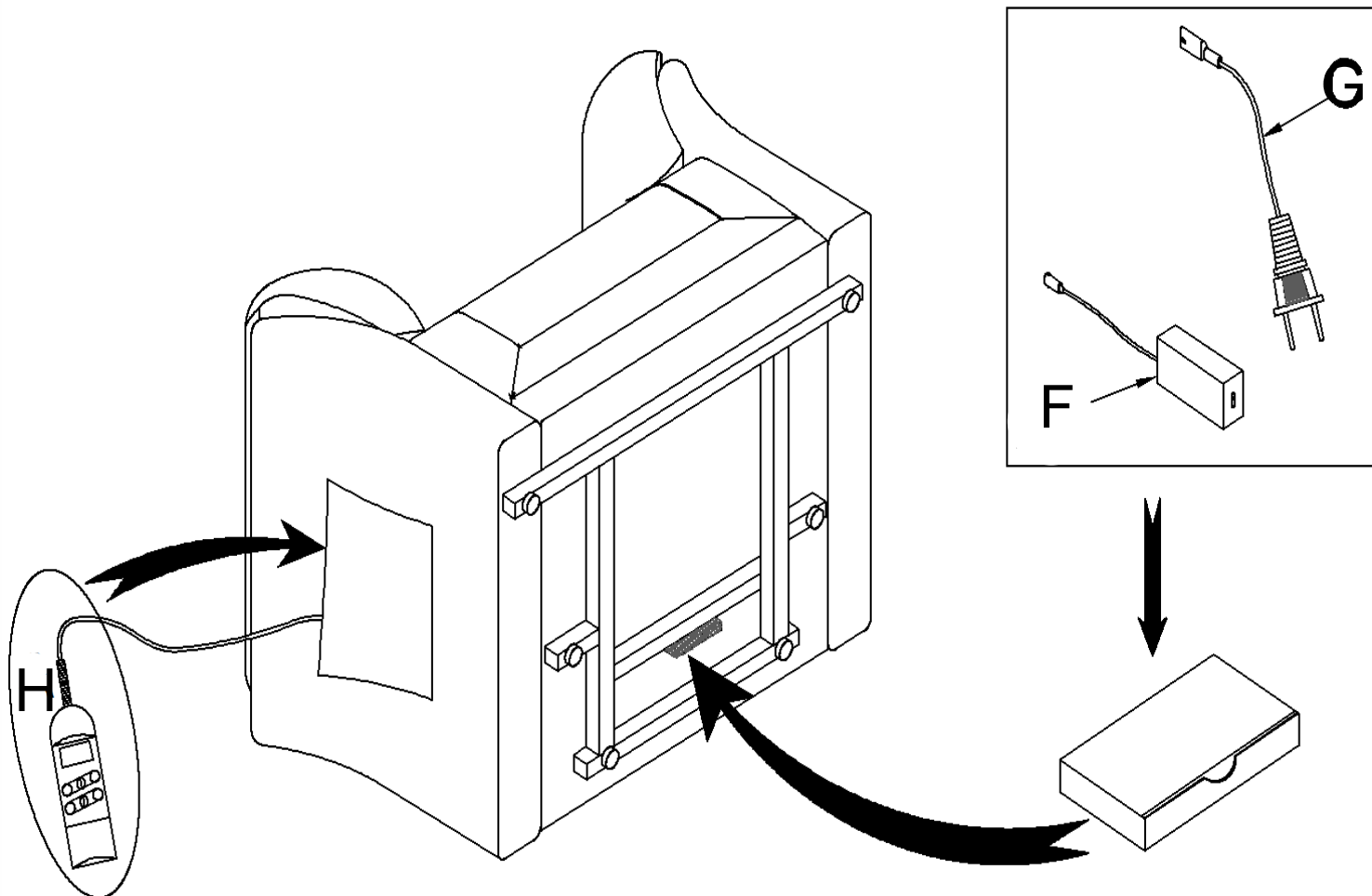
**NOTES :**

1. CHECK CAREFULLY FOR SMALL PARTS WHICH MAY COME LOOSE DURING SHIPMENT.
2. REMOVE ALL COMPONENTS FROM THE PACK AND PLACE ON A CLEAN, SOFT SURFACE TO ASSEMBLE.
3. UNITS SHOULD BE ASSEMBLED BY TWO OR MORE PEOPLE.
4. DO NOT OVER - TIGHTEN SCREW/ BOLTS UNTIL ASSEMBLY IS COMPLETED.
5. WITH USE, SCREW MAY BE COME LOOSE & MUST BE TIGHTENED PERIODICALLY.



## ASSEMBLY INSTRUCTIONS

THE PARTS ARE LOCATED INSIDE THE BOX AS BELOW:



THE REMOTE CONTROL PUT  
INSIDE THE SIDE BAG

ADAPTOR & PLUG PUT INSIDE  
THE BOX UNDER METAL FRAME

**Customer Service Contact Information:**  
Toll Free Phone Number: 1-844-771-2727  
Email: [consumercare@lanefurniture.com](mailto:consumercare@lanefurniture.com)  
Website: [www.lanefurniture.com](http://www.lanefurniture.com)

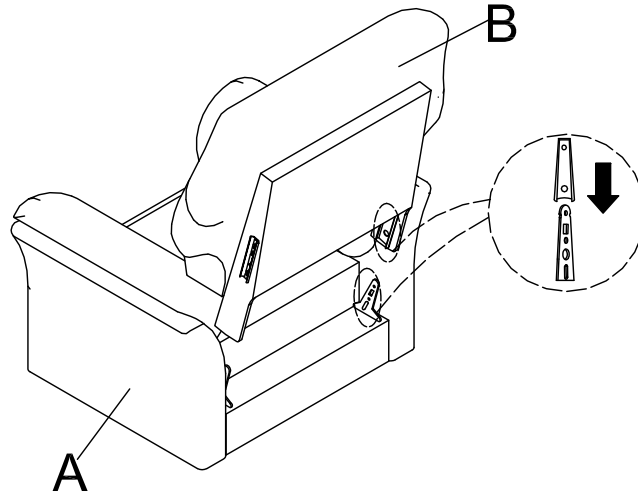
**NOTES :**

1. CHECK CAREFULLY FOR SMALL PARTS WHICH MAY COME LOOSE DURING SHIPMENT.
2. REMOVE ALL COMPONENTS FROM THE PACK AND PLACE ON A CLEAN, SOFT SURFACE TO ASSEMBLE.
3. UNITS SHOULD BE ASSEMBLED BY TWO OR MORE PEOPLE.
4. DO NOT OVER - TIGHTEN SCREW/ BOLTS UNTIL ASSEMBLY IS COMPLETED.
5. WITH USE, SCREW MAY BE COME LOOSE & MUST BE TIGHTENED PERIODICALLY.

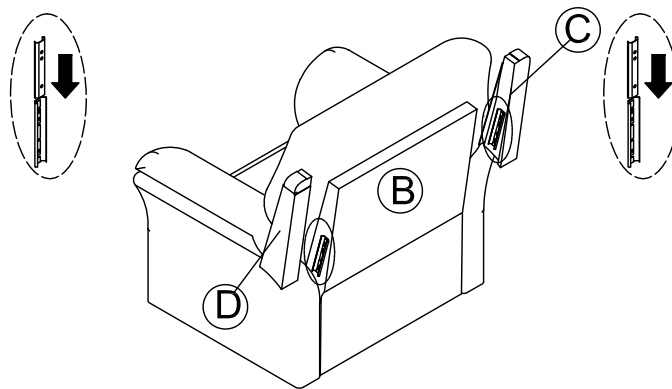


**ASSEMBLY INSTRUCTIONS**

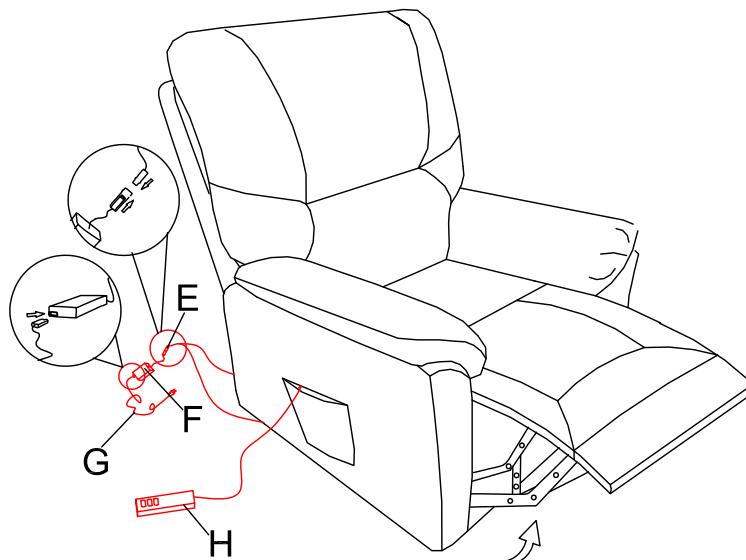
**STEP 1 Attach the Backrest (B) to the Seat (A).**



**STEP 2 Attach the Wing (C/D) to the Backrest (B).**



**STEP 3 Connect the Remote & Power strip w/ the Power source.  
Open reclining w/ remote function.**



**ASSEMBLY COMPLETED**