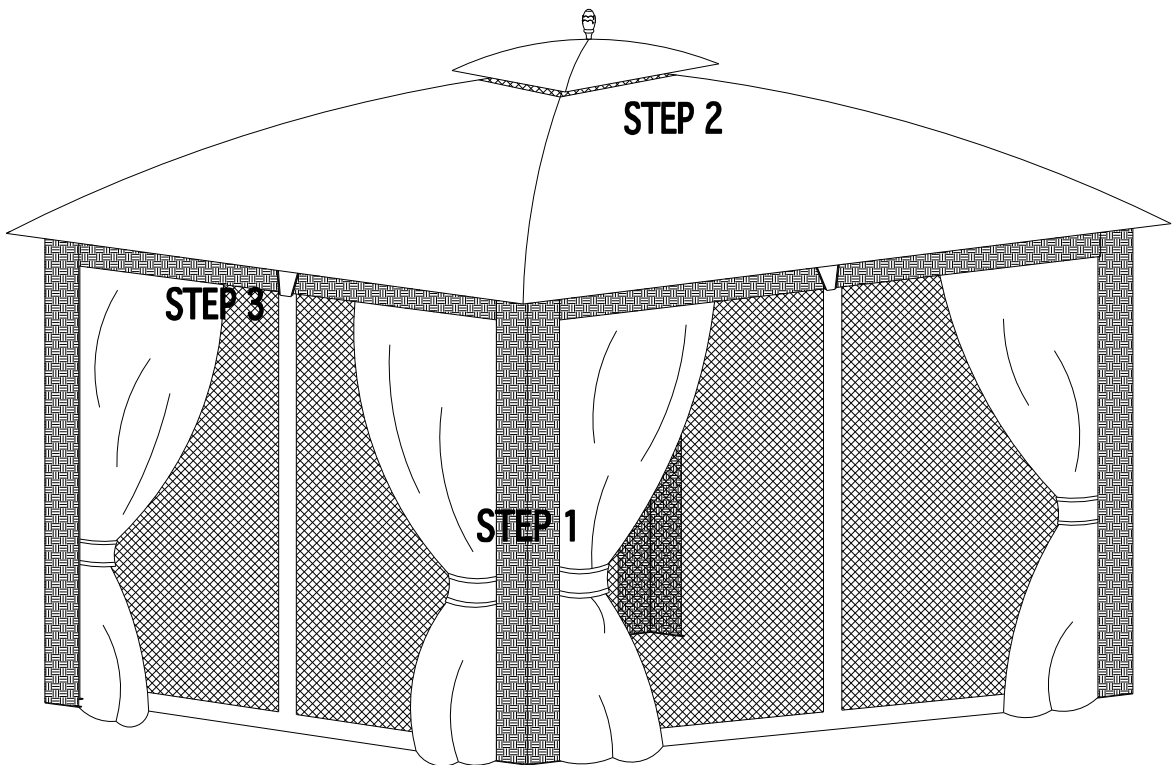
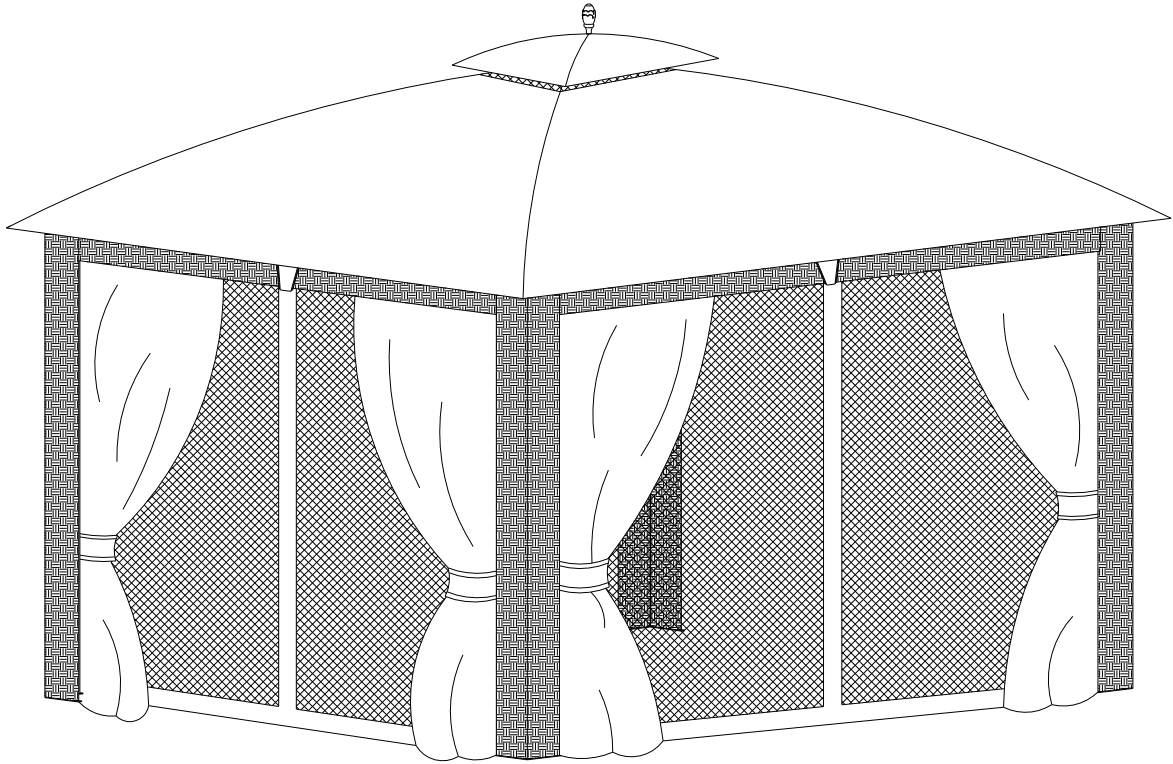


Riviera 10X12 Resin Gazebo Instruction Manual

Item #: L-GZ815PST

SKU #: 810213585



IMPORTANT:

Please read and follow all safety statements, warnings, assembly instructions, use & care directions before attempting to assemble.


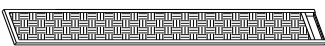
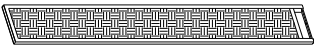
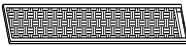
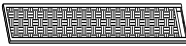





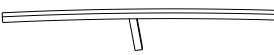
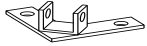



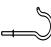


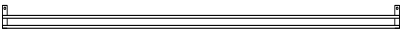



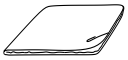
WARNING:

1. When installing and assembling your gazebo, it is recommended that 2 or more adults are involved.
2. This product is intended for outdoor use only and should be placed on flat, horizontal ground.
3. Ensure enough clearance around the product.
4. Do not use the unit during an electrical storm, as there is a remote chance of getting struck by lightning.
5. Do not climb on top of the gazebo. Falling off the gazebo can result in serious injury, possibly even death.
6. Never barbecue under this gazebo or use lanterns that contain naked flames.
7. This package contains small items and plastic bags that should be kept away from children.
8. Ensure that all connectors & poles are firmly secured in position fully. It is important to do so before use so as to avoid collapsing or damage to the item, which could result in injury.
9. **WARNING:** Keep all flame and heat sources away from this tent fabric. This tent is made with fabric that meets CPAI – 84 specifications for flame resistance. It is not fire proof. The fabric will burn if left in continuous contact with any flame source. The application of any foreign substance to the tent fabric may render the Flame-resistant properties ineffective.
10. **WARNING:** Please take down the gazebo during strong wind. The manufacturer or retailer is not liable for any loss of the product or other items due to the failure to take down the gazebo during strong wind.
11. Hook maximum weight: 26 lbs.

PREPARATION

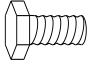

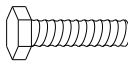
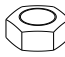

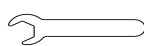
Before beginning assembly of product, make sure all parts are present. Compare parts with package contents list. If any part is missing or damaged, do not attempt to assemble the product.

Parts List

Post	A	4	
Long side horizontal screen 1	B	2	
Long side horizontal screen 2	C	2	
Short side horizontal screen 1	D	2	
Short side horizontal screen 2	E	2	
Arch beam	F	4	
Long middle beam	G	2	
Short middle beam	H	2	
Arch beam down tube	I	4	
Big top connector	J	1	
Small top arch beam	K	4	
Arch beam down connector	L	4	
Middle beam down connector	M	4	
Small top connector	N	1	
Finial	O	1	
Hook	P	1	
Slip cover	Q	4	
Long netting pipe	R	4	
Short netting pipe	S	4	
Small canopy	T	1	
Big canopy	U	1	
Mosquito netting	V	1	
Curtain	W	1	

Small top mosquito

Hardware Pack 1

AA	M6*20 Bolt	40PCS	
BB	M6 Flat washer	72 PCS	
CC	M6*60 Bolt	16 PCS	
DD	M6 Nut	24 PCS	
FF	M6*20 Screw	4 PCS	
Z	Wrench	2 PCS	

Step.1

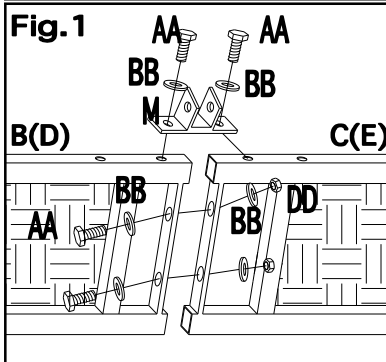
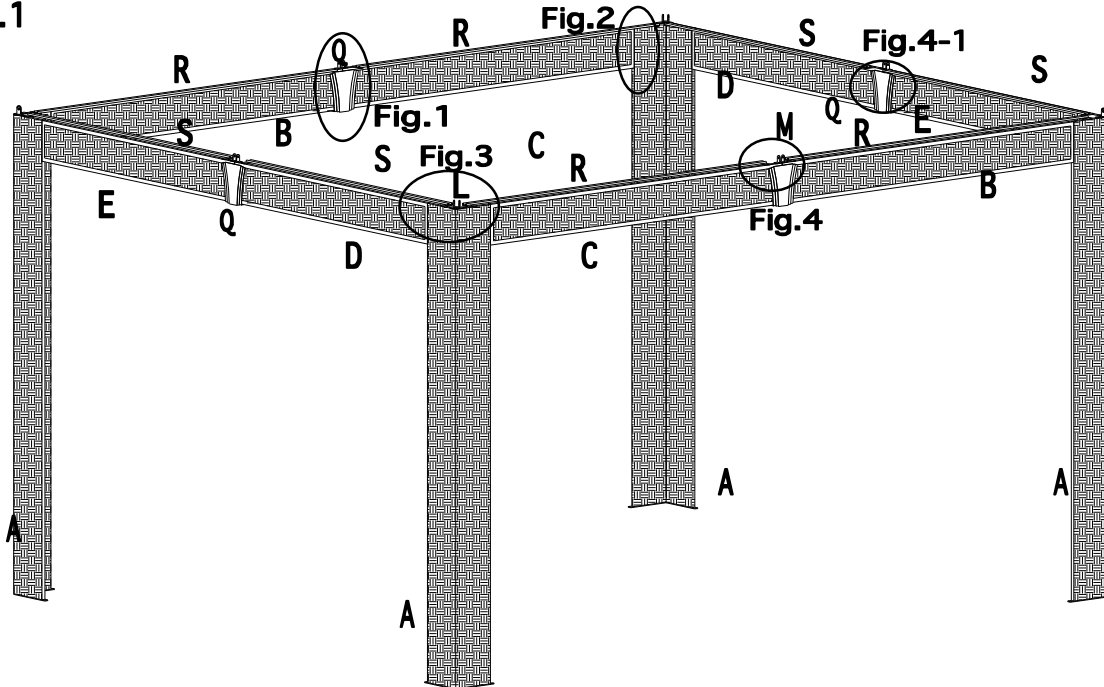


Fig.1: Attach long side horizontal screen 1 (B) with long side horizontal screen 2 (C) by bolt (AA), flat washer (BB) and nut (DD). Attach long screen (B、C) to middle beam down connector (M)

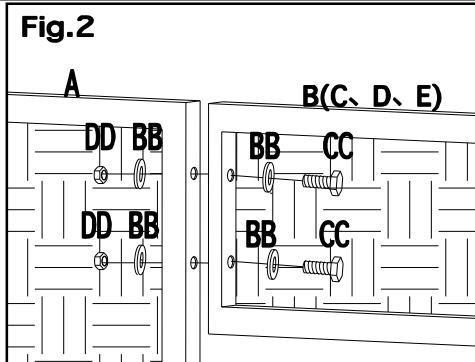


Fig.2: Attach screen (B、C、D、E) to post (A) by bolt (CC), flat washer (BB) and nut (DD).

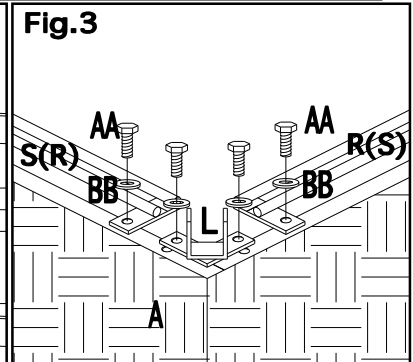


Fig.3: Attach arch beam down connector (L) and netting pipe (S、R) to post (A) by bolt (AA), flat washer (BB).

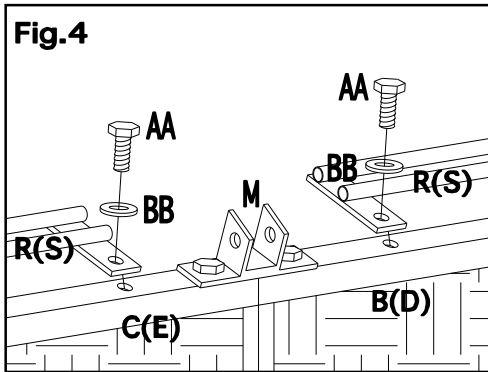


Fig.4: Attach netting pipe (R、S) to horizontal screen (B、C、D、E) by bolt (AA) and flat washer (BB).

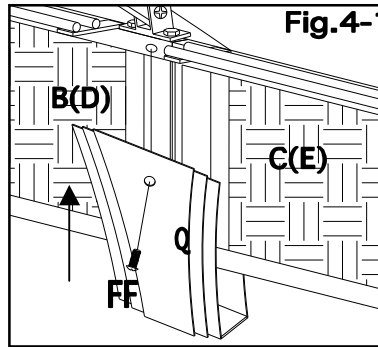

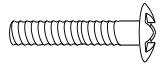
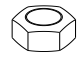


Fig.4-1: Attach slip cover (Q) to horizontal screen by screw (FF).

Hardware Pack 2

BB	M6 Flat washer	16 PCS	
EE	M6*35 Screw	8 PCS	
DD	M6 Nut	8 PCS	

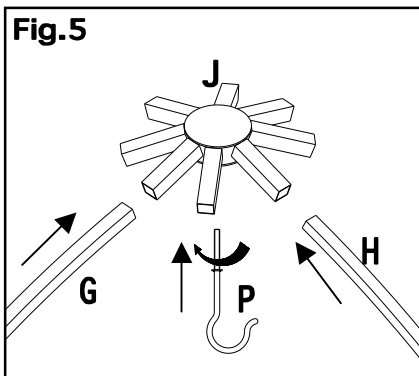
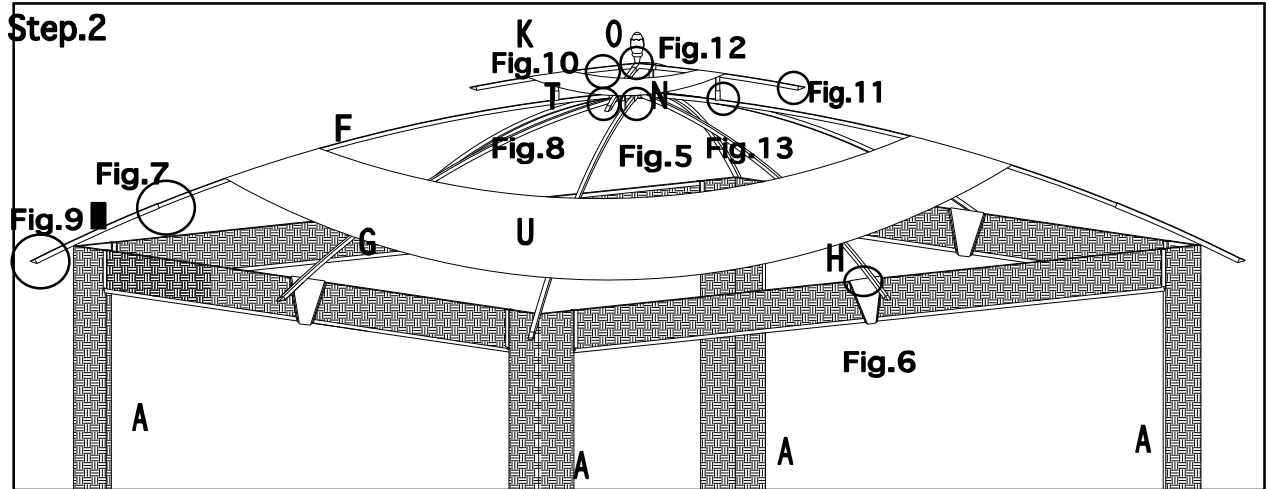


Fig.5: Insert hook (P) into big top connector (J), insert long middle beam (G) and short middle beam (H) into big top connector (J).

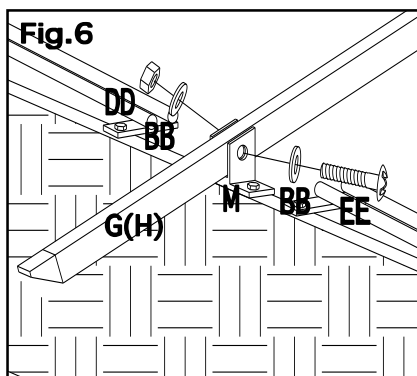


Fig.6: Attach middle beam (G、H) to middle beam down connector (M) by screw (EE), flat washer (BB) and nut (DD).

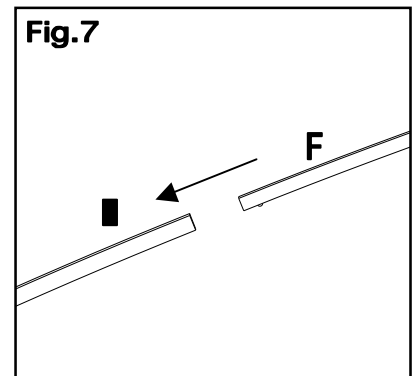


Fig.7: Insert arch beam (F) into arch beam down tube (I).

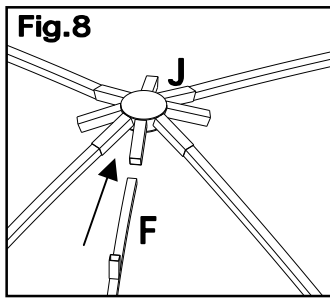


Fig.8: Insert one side of arch beam (F) into big top connector (J).

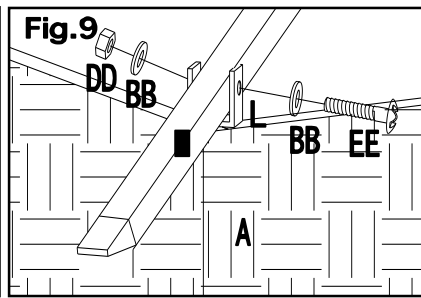


Fig.9: Attach arch beam down tube (L) to arch beam down connector (A) by screw (EE), flat washer (BB) and nut (DD).

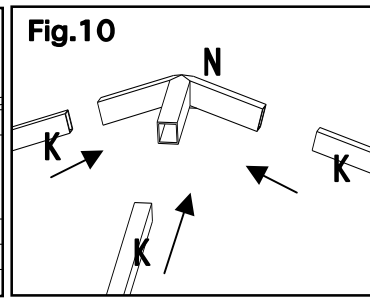


Fig.10: Insert small top arch beam (K) into small top connector (N).

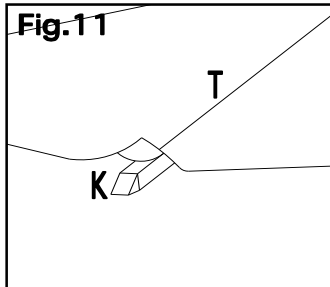


Fig.11: Put small canopy (T) onto small top, attach four corners to small top arch beam (K).

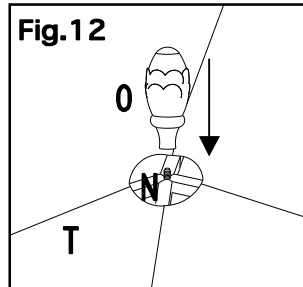


Fig.12: Put finial (O) to small top connector (N).

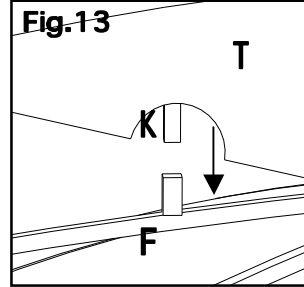


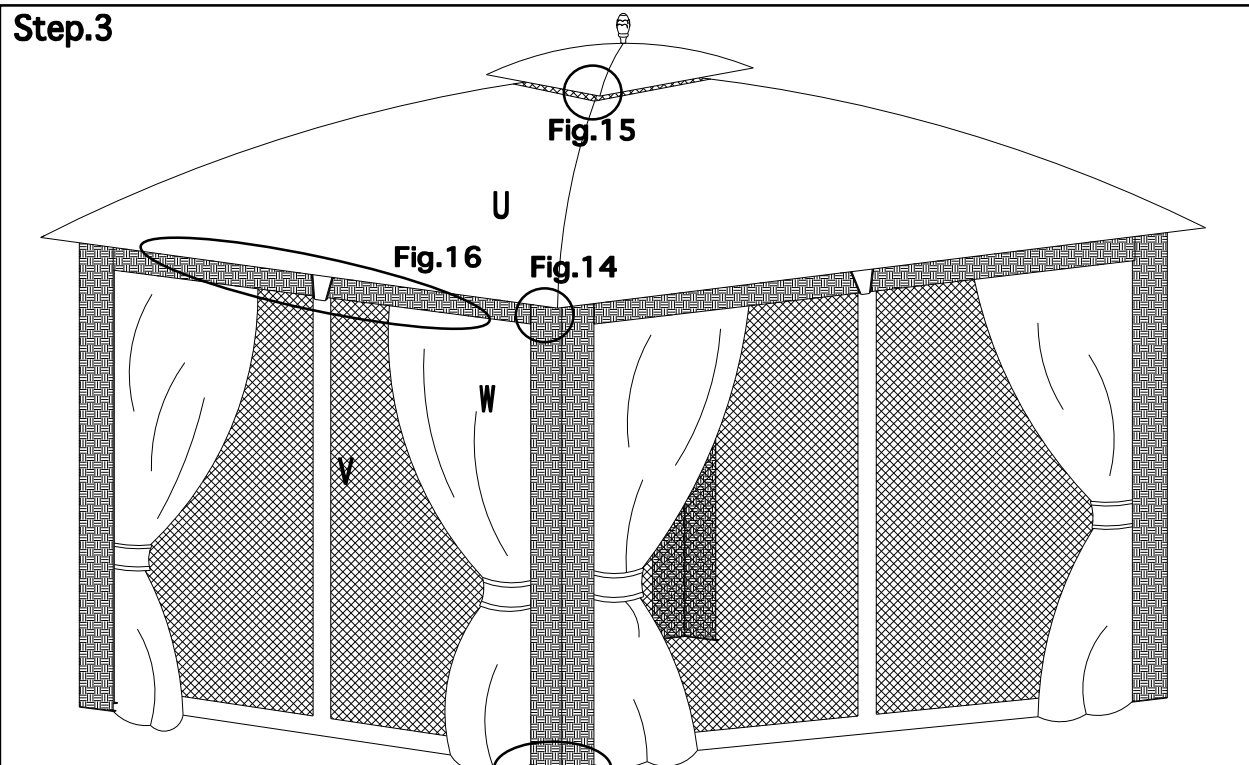


Fig.13: Put big canopy (U) onto big top, do not spread put, then insert assembled small top into big top arch beam by through small top arch beam (K).

Hardware Pack 3

GG	Ring	104PCS	
HH	Stake ϕ 6X180	8PCS	



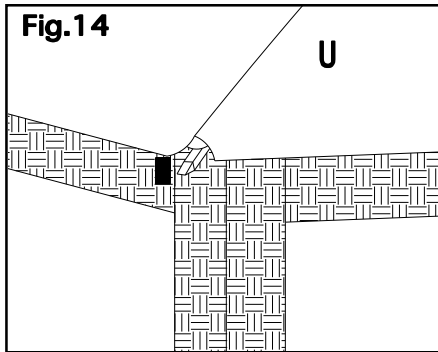


Fig.14: Spread out big canopy (U), attach four corners to arch beam down tube (I). Stick trim Velcro.

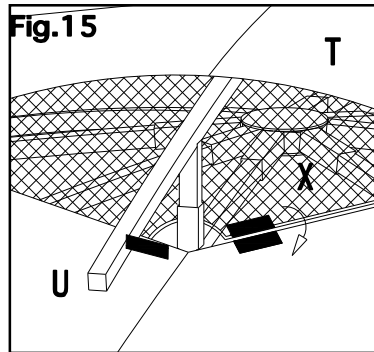


Fig.15: Stick Velcro of small top mosquito netting (X) with big canopy (U).

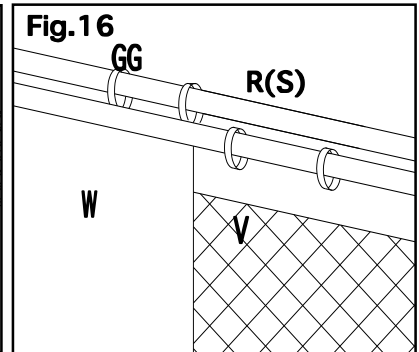


Fig.16: Hang mosquito netting (V) and curtain (W) onto netting pipe (R, S) by ring (GG).

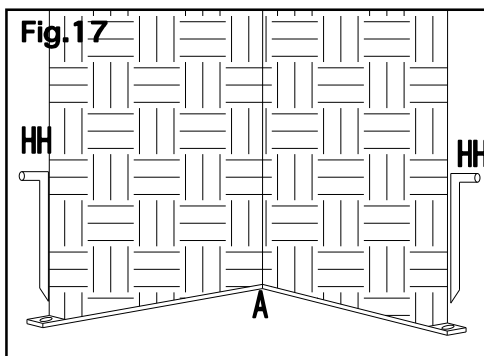


Fig.17: Secure gazebo to lawn by stake (HH).

USE & CARE

1. This Gazebo is not a permanent structure and should be disassembled & stored away after use.
2. Do not repack your gazebo until completely dry.
3. This Gazebo must be assembled by two adults or more.
4. This Gazebo must not be left erect in windy conditions.

WARNINGS

1. Assembly Instructions must be followed.
2. Pegs supplied must be used to hold this gazebo in place when upright.
3. Warranty does not cover damage due to extreme weather conditions.

CUSTOMER SERVICE

Sunjoy Industries warrants to the original purchaser that this item is free from defects in workmanship and materials of your item provided the item was factory-sealed at the time of purchase and is maintained with care and used only for personal, residential purposes. The item is warranted to be free from defects in material or workmanship for a period of **1 year**. Should any manufacturing defect arise within this warranty period, Sunjoy Industries will repair

or replace (at our option) any defective merchandise upon proof of purchase; however, transportation and delivery costs, as well as labor and material charges to remove or replace parts, remain the responsibility of the purchaser. A purchaser of an "open box," previously-returned, or "clearance" item, as well as original purchasers outside of the warranty period, may obtain replacement parts from Sunjoy Industries for products in current production, at nominal cost.

If you are within the return policy that most stores have, you do have the option of returning this item back to the store which you bought it from for an exchange of the same item, or a refund of the purchase.

If you are within or beyond the return policy that most stores have, and need tech. assistance or replacement parts, please call Sunjoy Industries at 1(866) 578-6569 from 8:30 am to 5:30 pm eastern standard time or e-mail to Biglots@sunjoygroup.com or fax your parts replacement order form together with the purchase receipt to 1 (740) 283-3549 for assistance.